

XLA - THE CONFIGURABLE LABELING SOLUTION

With the configurable XLA, you get an individual, compact solution that can label a wide range of products, surfaces and positions in just one process step.

APPLICATIONS TAILORED TO YOUR PRODUCT NEEDS.

The XLA allows to apply **multiple labels** with different shapes and sizes on a product in just **one step**. Thanks to its **individual and numerous configurations**, the XLA can easily be adapted to any labeling requirement.

This makes the XLA particularly adaptable and suitable for almost all **labeling requirements** and is a true all-rounder for products from any industry:

- hygiene products
- household goods
- electronics
- shipping units
- cosmetic products
- food and beverages
- chemical products
- ...and more

COMPACT. INDIVIDUAL. USER-FRIENDLY.

- Individually assembled solution thanks to **modular configuration**
- Can be used both **in-line** and **stand-alone**
- **Easy integration** into **existing** and **new production lines**
- Highly **user-friendly** thanks to **intuitive user interface**
- Quick and easy adjustment through **manual setting options**

NOVEXX
SOLUTIONS

THE COMPLETE SOLUTION FOR A WIDE RANGE OF LABELING REQUIREMENTS

Thanks to the **variation of configurations** and **assembly options**, the XLA can label products on many different positions - regardless of the **size and shape of the label**.

APPLICATION OPTIONS

With the XLA, both **decorative** and **informative** labels can be applied to the product, **pre-printed** or containing **variable information**. This ensures that all necessary product labeling requirements are fulfilled.

Like this, primary products such as cans, boxes, jars, bottles or canisters of any material can be labeled within a very short time - regardless of the label positions.

Positions:

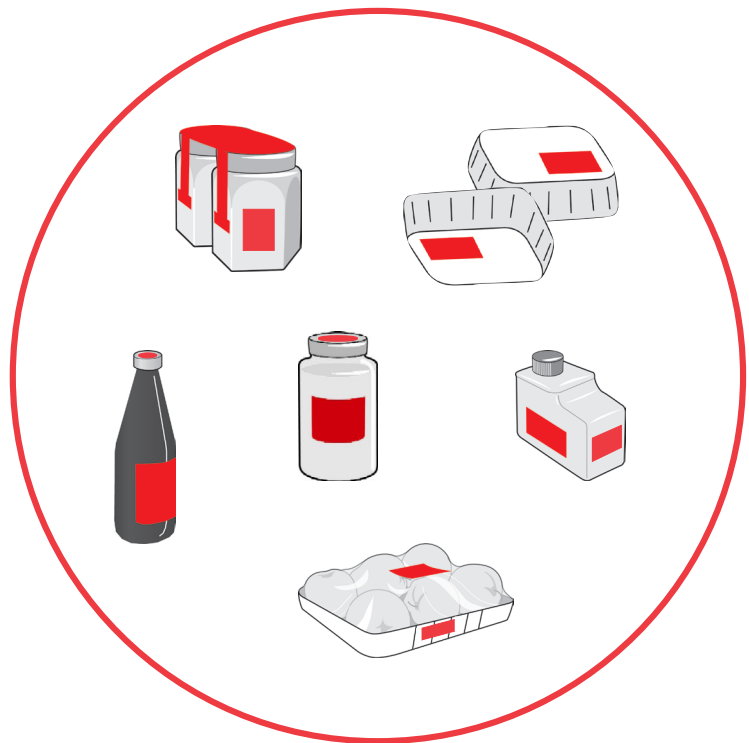
- Top
- Down
- Side
- Back and Front
- Wrap around
- Sealings

Product shapes:

- Flat
- Cylindrical
- Triangular
- Square
- Hexagon

Type of labels:

- Different shapes
- Paper, plastic
- Self-adhesive
- Label width 10-229 mm



BENEFITS



Space-saving design

Due to its compact size, the XLA can be easily integrated into existing production lines.

High productivity

Reliable and versatile application of multiple labels in a single process step.

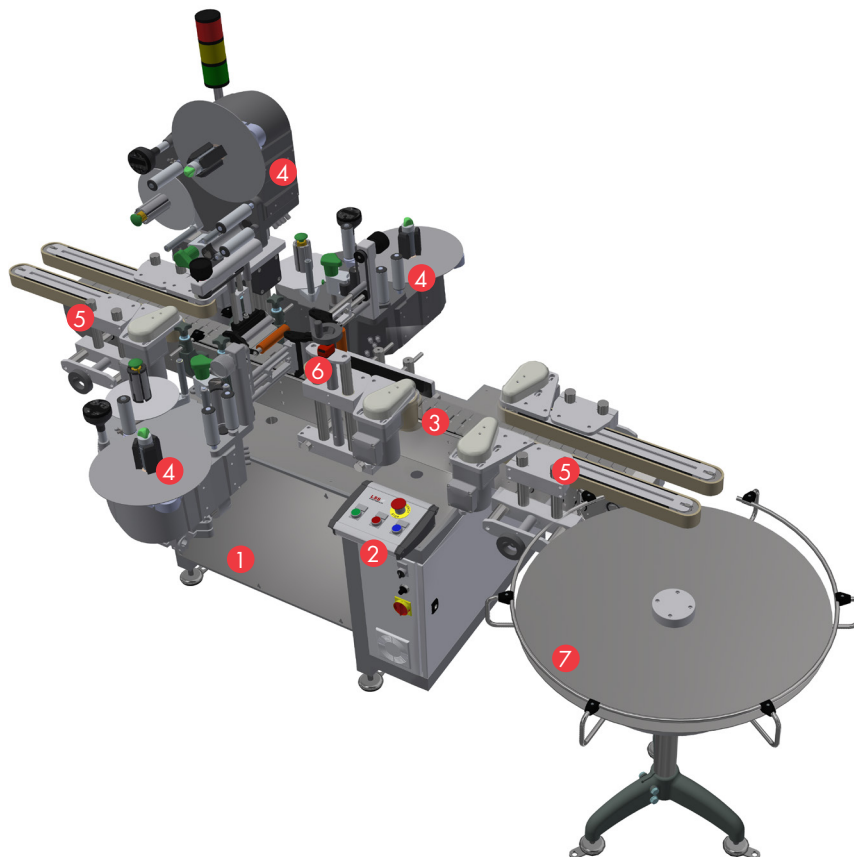
Precise dispensing accuracy

Like all our products, the XLA provides high quality and dispensing accuracy.

INDIVIDUAL CONFIGURATION OPTIONS THANKS TO MODULAR DESIGN

The space-saving compact solution increases your productivity. Thanks to its modular design the configuration variety allows to mount up to 3 Labeling and/or Print & Apply Systems.

CONFIGURATION OPTIONS



| Modul | Standard | Optional |
|--------------------------------------|---|---|
| 1 Machine frame | 2000 x 1120 x 1900 mm (L*D*H) | Application-dependent |
| 2 Machine controle | Main switch Start/Stop/Reset/Emergency stop/ Labeling machine(s) On/Off | Signal lamp |
| 3 Conveyor | Dimension: 100 x 2000 mm Fixed or variable speed | Fixed or variable speed |
| 4 Labeling & Print and Apply Systems | XLS 2xx Labeler, ALX and XPA Print and Apply Systems | XLS 204, 206, 209, 256, 272/ ALS 306,309 ALX 73x, 92x XPA 934 |
| | Multiple apply options | Options: Top/Side, bottom, wrap around sealing |
| 5 Infeed and outfeed conveyor | Width: 45 mm oder 90 mm Length: 300 mm oder 450 mm | Fixed or variable speed |
| 6 Wrap around conveyor | Width: 45 mm oder 90 mm Length: 300 mm oder 450 mm | Fixed or variable speed |
| 7 Round table | - | Optional features |

FROM A SINGLE SOURCE

Hardware, software and service from a single source – for best results

NOVEXX Solutions is a dynamic medium-sized company with more than 55 years of experience and know-how in the labeling industry.

As a specialist, we offer first-class identification and labeling solutions for products, cartons and pallets that promise to optimize the production and supply chain. Our portfolio includes powerful hardware, intelligent data management software, high-quality consumables and all-round service & support. Designed and assembled in Germany.

Our mission is to connect the products with the labels to strengthen the brand, increase productivity and quality, and reduce costs. We know the requirements and our customers benefit from this - worldwide. Many satisfied customers and partners confirm our performance – from medium-sized companies to global groups.

NOVEXX Solutions is represented with 10 sites and more than 100 certified partners worldwide. We offer identification solutions that work!

Novexx Solutions GmbH

Ohmstraße 3
85386 Eching/ Munich
Germany
Tel. +49 (0)8165 925 0
solutions@novexx.com

You can find your
international contact here:



HIGH PERFORMANCE HARDWARE SOLUTIONS

NOVEXX Solutions offers a wide portfolio of hardware solutions for labeling applications or variable data printing.

In addition to Plug & Play Complete Solutions our identification solutions also include Label Printers, Print & Apply Systems, Labelers and Printing Systems – developed and manufactured in Germany. Trust in the many years of experience of NOVEXX Solutions - your partner for identification solutions.



HIGH QUALITY CONSUMABLES

We offer a wide range of thermal transfer ribbons and self-produced labels, such as blank labels for variable data, labels with security features or full-color labels with individual designs.

Our reliable consumables fit perfectly to the NOVEXX Solutions hardware. We promise first-class print quality and perfect labels.



SOFTWARE FOR DATA MANAGEMENT

With PID 3SIXTY we offer a state-of-the-art software that perfectly matches our hardware. It covers all your needs regarding identification and data management (manage.ID) as well as monitoring the status of your printing systems for highest efficiency in your production process (monitor.ID). PID 3SIXTY is a product of PID Software Solutions, co-developed by NOVEXX Solutions.



SEAMLESS INTEGRATION

NOVEXX Solutions experts support you during the integration process and beyond. High-performance hardware is one thing, but smooth integration into your production environment is not less important. We take the time to understand your processes and needs in detail so that we can offer the optimal solution for your company. We are always at your side - from finding the solution and integrating the system to maintenance and repair.

The information contained in this document is believed to be reliable, but NOVEXX Solutions makes no representations as to the accuracy or correctness of the data. As with all other data, this information should be independently validated with regard to the specific end-user conditions in order to ensure that the recommended identification solution complies with the relevant requirements and regulations. ©2024 Novexx Solutions GmbH, all rights reserved. Any trademarks and/or trade names of third parties used in these materials are the property of their respective owners.

www.novexx.com

7e-EN DIR 0124.V01

NOVEXX
SOLUTIONS



A Possehl Identification Solutions Company
www.possehl-identification.com